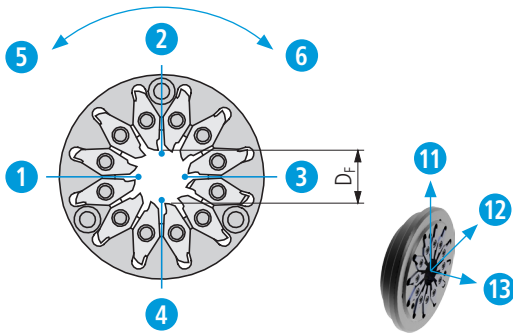
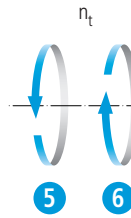


Order guideline for execution of special thread profiles

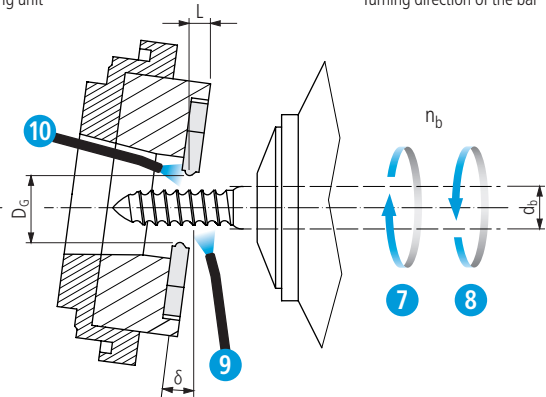
Cutting position



Turning direction of whirling unit



Turning direction of the bar



Machine specifications	
Machine manufacturer	
Type of machine	
Manufacturer of driven tool	
Type of driven tool	
Flight circle D_f [mm]	<input type="checkbox"/> 6 <input type="checkbox"/> 12 <input type="checkbox"/> 15 <input type="checkbox"/> 25
Mounting place (turret, gang rack, elsewhere)	
Center height correctable?	<input type="checkbox"/> 11 <input type="checkbox"/> 12 <input type="checkbox"/> 13
High pressure cooling? [bar]	<input type="checkbox"/> ≤30 <input type="checkbox"/> >30 <input type="checkbox"/> No
Cooling direction	<input type="checkbox"/> 9 <input type="checkbox"/> 10
Turning direction of whirling unit $[n_t]$ $n_t = n_b$	<input type="checkbox"/> 5 <input type="checkbox"/> 6

Material	
Designation (DIN)	
Bar diameter $[d_b]$	
Turning direction of the bar $[n_b]$ $n_b = n_t$	<input type="checkbox"/> 7 <input type="checkbox"/> 8
Cutting position	<input type="checkbox"/> 1 <input type="checkbox"/> 2 <input type="checkbox"/> 3 <input type="checkbox"/> 4

Insert	
Thread drawing (No.)	
Full profile	<input type="checkbox"/> Yes <input type="checkbox"/> No
Number of thread starts	<input type="checkbox"/> 1 <input type="checkbox"/> 2 <input type="checkbox"/> 3
Coating	<input type="checkbox"/> Yes <input type="checkbox"/> No

Company _____

Postal code, City _____

Name _____

Phone _____

Road _____

E-mail _____

■ **Utilis AG, Precision Tools**

Kreuzlingerstrasse 22, CH-8555 Müllheim, Switzerland
Phone +41 52 762 62 62, Fax +41 52 762 62 00
info@utilis.com, www.utilis.com