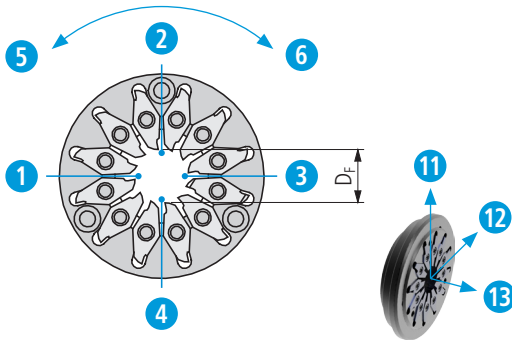
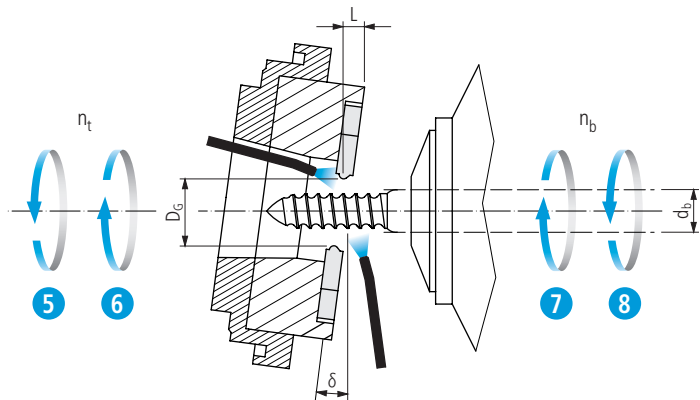


Cutting position



Turning direction of whirling unit



Turning direction of the bar

Machine specifications		
Turning direction of whirling unit	$[n_t]$	<input type="checkbox"/> <input type="checkbox"/>
	$n_t = n_b$	<input checked="" type="checkbox"/> <input checked="" type="checkbox"/>
High-pressure cooling in place?	$[\text{bar}]$	<input type="checkbox"/> <input type="checkbox"/> <input type="checkbox"/>
		≤ 30 > 30 No
		<input type="checkbox"/> <input type="checkbox"/>
Is the guide bush set flush?		<input type="checkbox"/> <input type="checkbox"/>
		Yes No
Distance to the guide bush	$[<d_b]$	

Driven tool		
Manufacturer		
Type		
Has the gradient angle been set?	$[\text{°}]$	<input type="checkbox"/> <input type="checkbox"/>
		Yes No
Center height corrected?		<input type="checkbox"/> <input type="checkbox"/>
		Yes No
Enter axes (X, Y, Z)		<input type="checkbox"/> <input type="checkbox"/> <input type="checkbox"/>
		<input checked="" type="checkbox"/> <input checked="" type="checkbox"/> <input checked="" type="checkbox"/>
Type of whirling head		
Concentricity set to max. $5\mu\text{m}$?		<input type="checkbox"/> <input type="checkbox"/>
		Yes No
Condition of whirling head	(MWT...)	

Material		
Bar diameter	$[d_b]$	
Turning direction of the bar	$[n_b]$	<input type="checkbox"/> <input type="checkbox"/>
	$n_b = n_t$	<input checked="" type="checkbox"/> <input checked="" type="checkbox"/>
Cutting position		<input type="checkbox"/> <input type="checkbox"/> <input type="checkbox"/> <input type="checkbox"/>
		<input checked="" type="checkbox"/> <input checked="" type="checkbox"/> <input checked="" type="checkbox"/> <input checked="" type="checkbox"/>
Cutting speed / feed	$[v_f / f_z]$	
Problem with chips?		<input type="checkbox"/> <input type="checkbox"/>
		Yes No
Vibrations?		<input type="checkbox"/> <input type="checkbox"/>
		Yes No

Insert		
Order designation		
Cutting edge screwed tight with 1.2 Nm?		<input type="checkbox"/> <input type="checkbox"/>
		Yes No
Centre of profile at point of rotation?		<input type="checkbox"/> <input type="checkbox"/>
		Yes No
Distance to point of rotation	$[\text{mm}]$	
Cutting from the same production batch?		<input type="checkbox"/> <input type="checkbox"/>
		Yes No
Are cutting edges evenly worn?		<input type="checkbox"/> <input type="checkbox"/>
		Yes No
Cutting edges cleaned prior to fitting/change?		<input type="checkbox"/> <input type="checkbox"/>
		Yes No

Company _____

Name _____

Road _____

Postal code, City _____

Phone _____

E-mail _____

Utilis AG, Precision Tools

Kreuzlingerstrasse 22, CH-8555 Müllheim, Switzerland
 Phone +41 52 762 62 62, Fax +41 52 762 62 00
 info@utilis.com, www.utilis.com